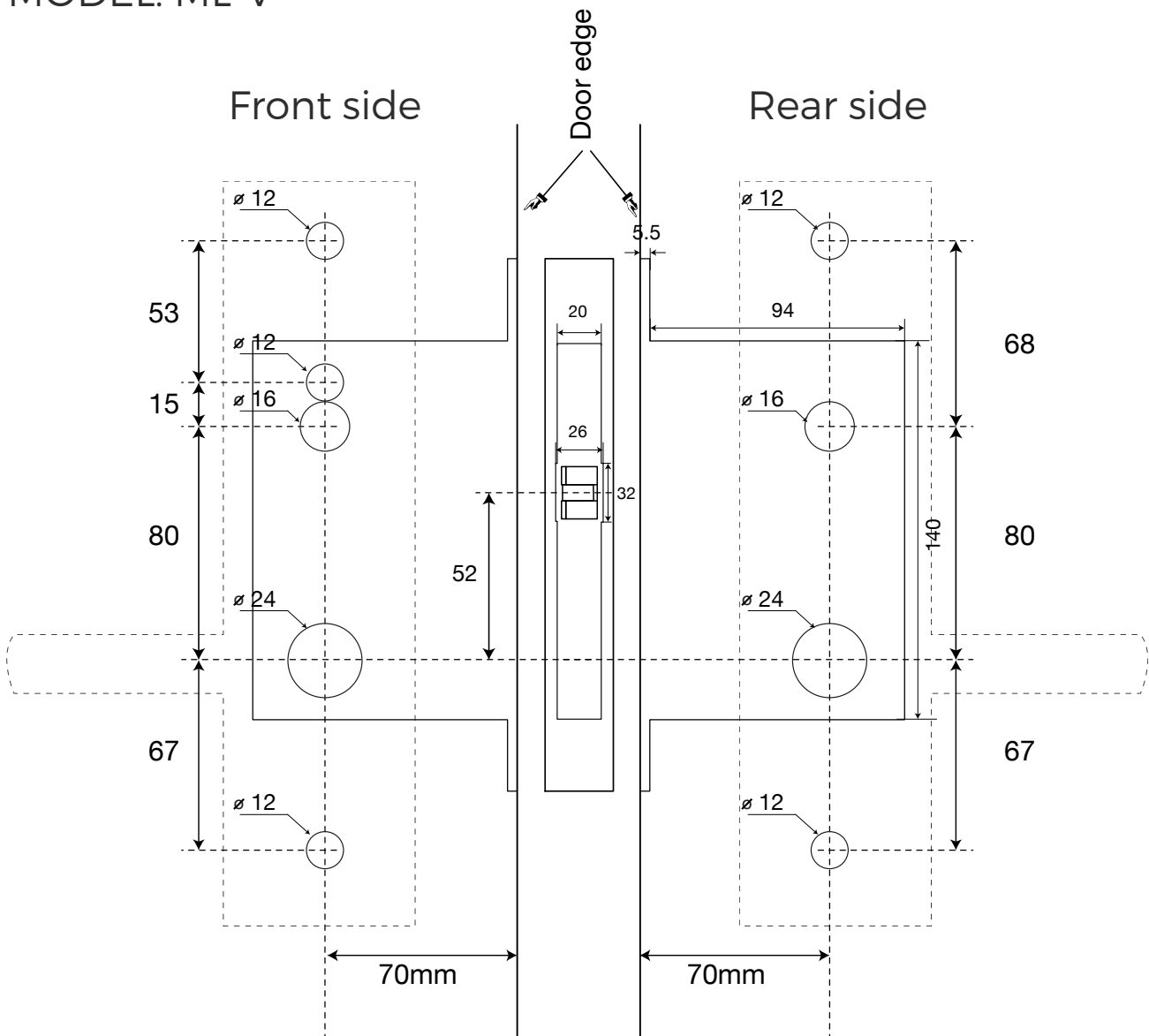


KAS LMS Platinum Cutting Dimensions

ML-Mortise Latch

MODEL: ML-V



Not to scale