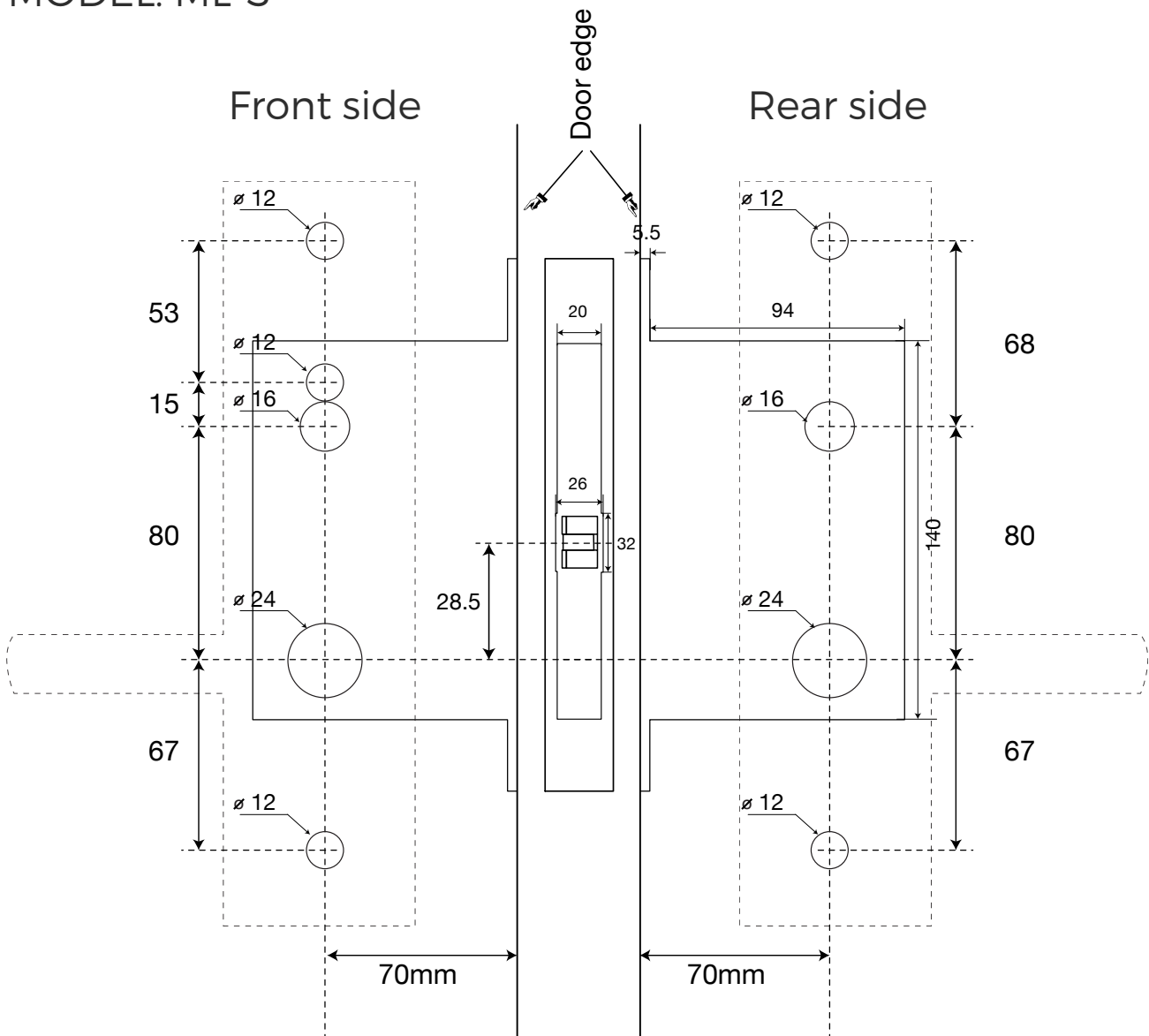


# KAS LMS Platinum Cutting Dimensions

ML-Mortise Latch

MODEL: ML-S



Not to scale