

# Platinum Lock Datasheet



## Table of contents

Introduction .....	2
Images .....	2
Technical Specifications .....	2
Dimensions .....	3
Latch Specifications .....	3
Drilling Diagram .....	4
Handle Dimensions.....	4
Mechanical Key.....	4

## Introduction

The Platinum is modern lock that appeals to the modern environment. It is a feature rich and durable lock hardware perfectly suitable to any type of accommodation site.

Supports the latest technologies including:

- RFID technology
- Mobile Access

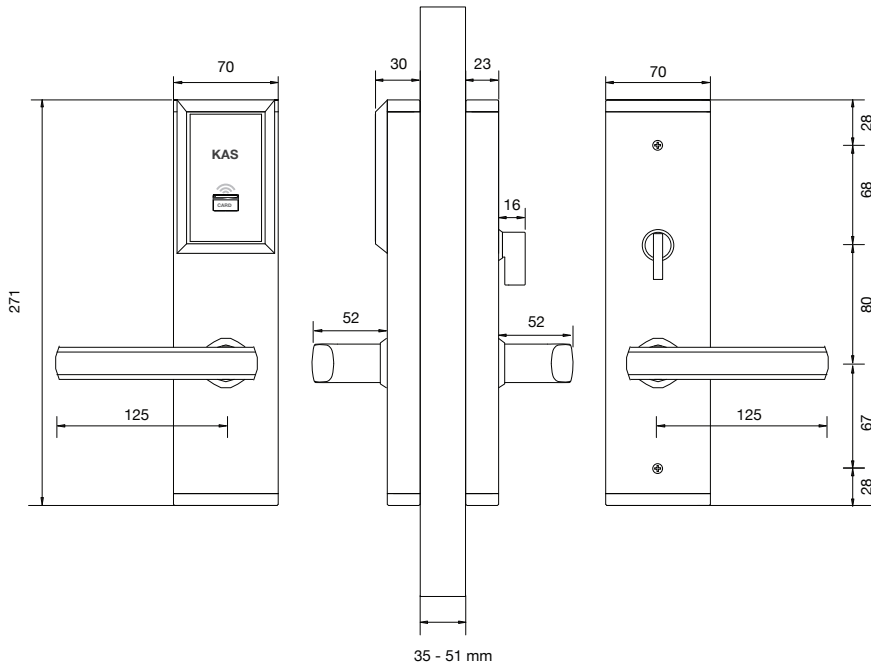
## Images



## Technical Specifications

Door thickness	34 - 55 mm thickness
RFID Specifications	13.56MHz Technology ISO 14443A (MIFARE)
Mobile Access	Bluetooth Low Energy (BLE) Smart 4.0
Working Voltage	DC 4.5V, (3 x AA alkaline batteries)
Limited Voltage	DC 3.0V
Working Temp	-20 to 60 Degrees Celsius
Working Humidity	20% - 90%
Emergency Power Supply	Not applicable (Battery Case accessible from the outside)
Card Read Time	<0.8s
Warnings	Low battery warning function
User interface	2 coloured LED display (green, red) with buzzer
Keypad Display	N/A
Battery location	Outside of the room
Privacy snib	90 degree rotation
Material	Body: 304 Stainless steel, Reader: High quality plastic
Weather resistant	Rubber gaskets for water tight protection (IP Rating in progress)
Handle direction	Not reversible - Left handle and Right handle selection required
Mechanical key override	2 x unique mechanical keys (supplied per lock)
Certifications	Fire rated to AS standards (up to 2-4 hours)

## Dimensions

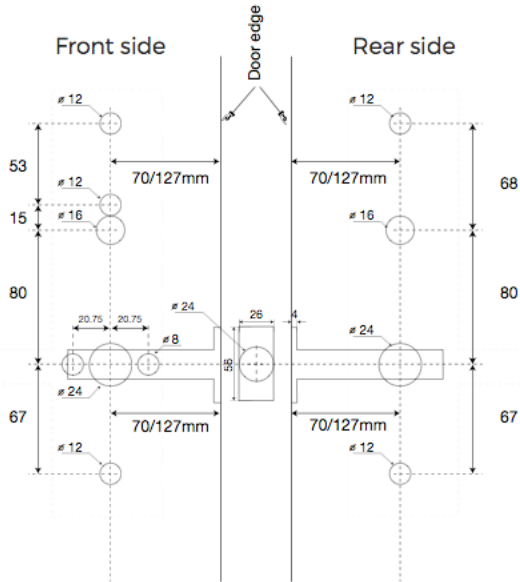


## Latch Specifications

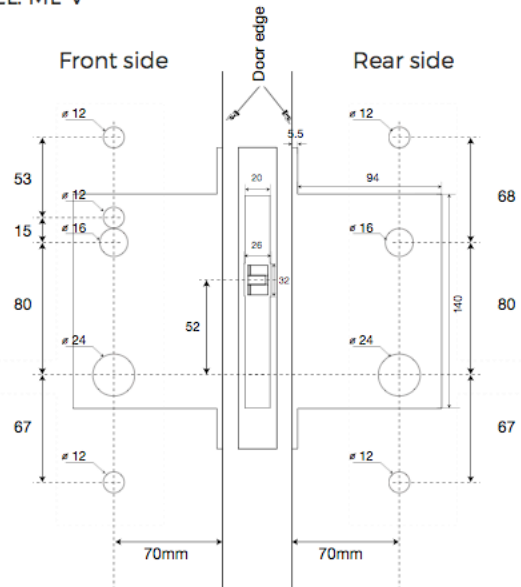
<p><b>Tubular Latch</b></p>	<p><b>Latch Dimensions</b></p>	<p><b>Strike Plate</b></p>
<p><b>Mortise Latch</b></p>	<p><b>ML-V</b></p> <p><b>ML-S</b></p>	

## Drilling Diagram

TL-Tubular Latch



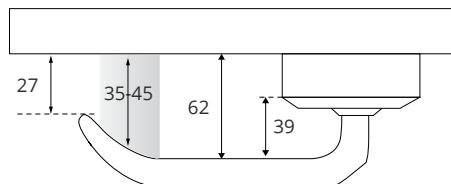
ML-Mortise Latch  
MODEL: ML-V



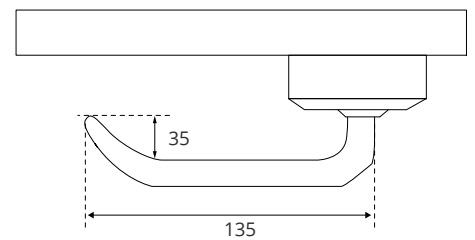
## Handle Dimensions

Platinum has one handle type to suit all purposes.

Clearance



Handle Grip Curve



## Mechanical Key



Platinum Lock has a concealed mechanical key barrel for emergency override. In the case of electronics malfunction the mechanical keys can open the door.

- 2 x mechanical keys per lock